

Tectite

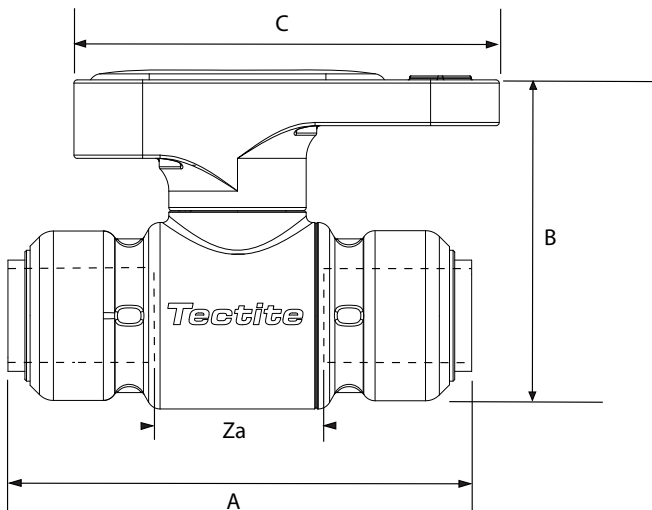
TX300 Full Bore Quarter Turn Lever Ball Valve

Features

- Tectite Metal Push Fit Connections for speed of installation
- Manufactured from low lead brass CW625N-DW
- Suitable for connection to a wide range of popular tube types
- PTFE Ball seals
- Unique lever design, incorporating locking features
- Red and blue inserts supplied for hot and cold water service indication
- In sizes for 15mm and 22mm tube connections
- Demountable using Tectite fittings accessories
- PN16 rated
- Blow out and vandal proof stem assembly
- EPDM stem seals
- Suitable for connection to Copper, Carbon, Stainless Steel, PEX and PB Tube (with Liners)
- Date coded for audit traceability
- WRAS approved



Product details



SIZE

Range	15mm	22mm
Pattern No.	TX300	TX300
Product code	66001	66004

DIMENSIONS (mm)

Range	15mm	22mm
A (mm)	71	88
B (mm)	37	45
C (mm)	65	77
Za (mm)	25	34
Weight (kg)	0.18	0.32

FLOW RATES* M³/H

Range	15mm	22mm
Cv*	19.9	48.0
Kv**	17.0	41.0

*Cv – flow rate in US gallons per minute at a pressure drop of 1psi.

**Kv – flow rate in m³ per hour at a pressure drop of 1bar.

Tectite

TX300 Full Bore Quarter Turn Lever Ball Valve

VALVE SUITABILITY

Steam	Water	Oil	Air	Gas Inert	Gas Combustible	Gas Corrosive	Gas Oxygen
✗	✓	✗	✗	✗	✗	✗	✗

ACCESSORIES

Range	Product Code
T121 Valve Anti rotation clip for - 15mm	66006
T121 Valve Anti rotation clip for - 22mm	66007
DT Disconnecting tool 15mm	45973
DT Disconnecting tool 22mm	45977
DC Disconnecting clip 15mm	46103
DC Disconnecting clip/scriber tool	46132



MAXIMUM PRESSURE CONDITIONS

Range	Maximum Pressure Conditions(bar)
Temperatures up to 65°C	16bar
Temperatures up to 92°C	10bar

TECTITE END CONNECTIONS

Range	
Cartridge	Plated brass
De-mount	Black acetal
O ring protector	Glass filled nylon
Grab ring	Stainless steel
O ring	EPDM

PED Category - SEP (Sound Engineering Practice)

MATERIAL SPECIFICATION

Component	Material
Body	Brass CW625N-DW
End Cap	Brass CW625N-DW
Ball	CP brass
Stem/Spindle	Brass CW617N
Ball Seals	PTFE
Thrust washer	PTFE
Stem O Rings	EPDM
Lever	30% Glass filled nylon
Lever Nut	Plated Steel
Nameplate(s)	30% Glass filled nylon

PRESSURE & TEMPERATURE RATINGS

