

Date:

30th January 2017

Issue: PHJ

**Pegler PB370
Tee handle ball valves with
strainer, DZR , Nickel plated**



Pegler Yorkshire



OVERVIEW

Pegler ball valves with compression ends have been a mainstay of the Pegler valve portfolio for many years. Increasing demand in use of thermostatic mixing valves and pressure reducing valves has highlighted an area for strainers to provide additional protection from system debris. Modular building off site requires protection when connecting to mains supply particularly on new build sites.

This has prompted the inclusion of a combined ball valve and y strainer into the Pegler range.

The New PB370 is available in 15mm, is manufactured from dezincification resistant brass and bright nickel plated. This allows the valve to be used in both domestic and light commercial applications.

The handles are a standard Tee butterfly style and are **not** interchangeable with the PB300/350 series. The PB370 is available with either a RED or BLUE Tee handle.

OBJECTIVE

1. To secure modular valve business as the basis for initial volumes sales.
2. Support our existing range of Compression ended ball valves, PB300 and PB350 series.
3. To offer an alternative method of strainer protection with built in isolation as opposed to separate valves.
4. To secure sales and specification in both Domestic and commercial markets

RANGE

2 SKUs

Product Code 254250 15mm PB370 DR Red Tee handle ball valve with strainer, nickel plated.

Product Code 254252 15mm PB370 DR Blue Tee handle ball valve with strainer, nickel plated.

Marketing Bulletin

Date:

30th January 2017

Issue: PHJ

**Pegler PB370
Tee handle ball valves with
strainer, DZR , Nickel plated**



Pegler Yorkshire

List prices:

15mm PB370DR Red Tee 254250 £17.30 each Product Group Category F1000

15mm PB370 DR Blue Tee 254252 £17.30 each Product Group Category F1000

FEATURES	BENEFITS
Compression connections	No special tools required
Compact quarter turn Tee handle design	Unobtrusive and easy to operate
Suitable for connection to Copper and Stainless steel tube.	Adaptability on site
Supplied with either red or blue Tee handles	Clear identification of water supply
Supplied with built in Strainer mesh	Combines two valves in one.
Bright nickel plated	Clean and modern appearance
16bar rated	Suitable for all domestic applications
	Suitable for all domestic and light commercial applications
DZR brass, Nickel plated	Corrosion resistant (200microns)
Strainer mesh	Size adequate for use with TMV's and pressure reducing valves.
WRAS Approved	Guaranteed compliance with water regulations
5 year guarantee	Complete assurance

Marketing Bulletin

Date:

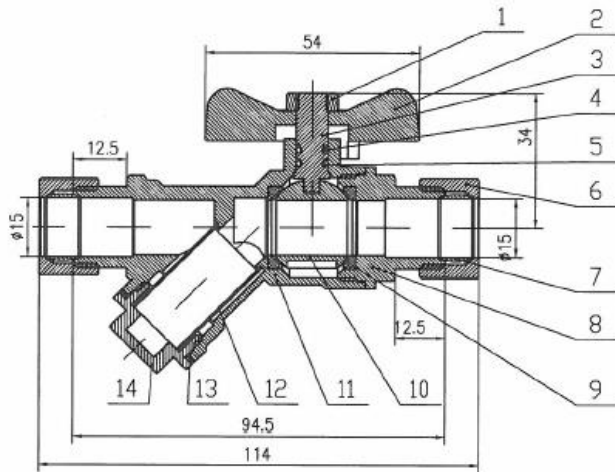
30th January 2017

Issue: PHJ

**Pegler PB370
Tee handle ball valves with
strainer, DZR , Nickel plated**




Pegler Yorkshire



	Components	Material
1	T handle nut	Stainless steel
2	T handle	Painted aluminium
3	Stem	DR brass
4	Stem O rings	HNBR
5	Stem O rings	EPDM
6	Compression nut	Forged brass
7	Compression olive	Brass
8	Cap	DR brass , nickel plated
9	Ball seals	PTFE
10	Ball	DR brass, chrome plated
11	Body	DR brass , nickel plated
12	Strainer mesh	Stainless steel
13	Strainer gasket	PTFE
14	Strainer cap	DR brass, nickel plated

Weight 0.33kg

Marketing Bulletin

Date:	30th January 2017	 Pegler Yorkshire
Issue: PHJ	Pegler PB370 Tee handle ball valves with strainer, DZR , Nickel plated	

Launch Stock

3000 15mm PB370DR Red
3000 15mm PB370DR Blue

Approvals

WRAS approval has been requested, awaiting sample number.

WRAS approval temperature is limited to a maximum of 100°C

Maximum pressure/temperature is 7 bar/120°C - outside of WRAS approval.

Maximum pressure rating is 16bar.

NB. Not suitable for gas applications.

Launch date: January 2017